

ASTRA 18

HIGH-EFFICIENCY FIREPLACE



HEAT CAPACITY

500 to 1,500 ft²



BURN TIME

4 to 8 hours



FIREBOX SIZE

1.79 ft³



GLASS DIMENSIONS

17 ¼" x 12"



MAX. HEAT OUTPUT

60,000 BTU



LOG SIZE

18 in (45.7 cm)



EMISSIONS

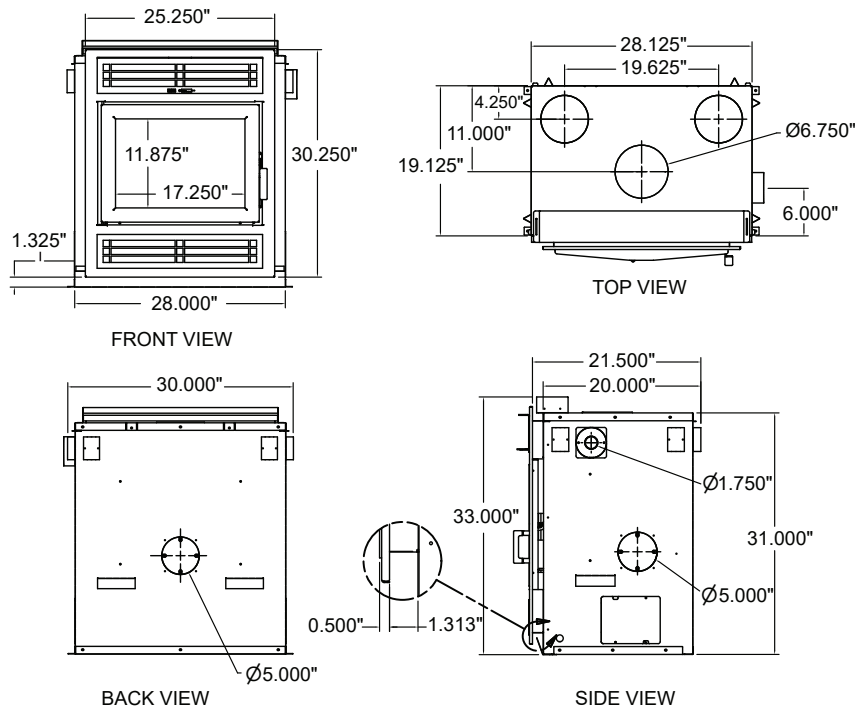
1.2 g/hr



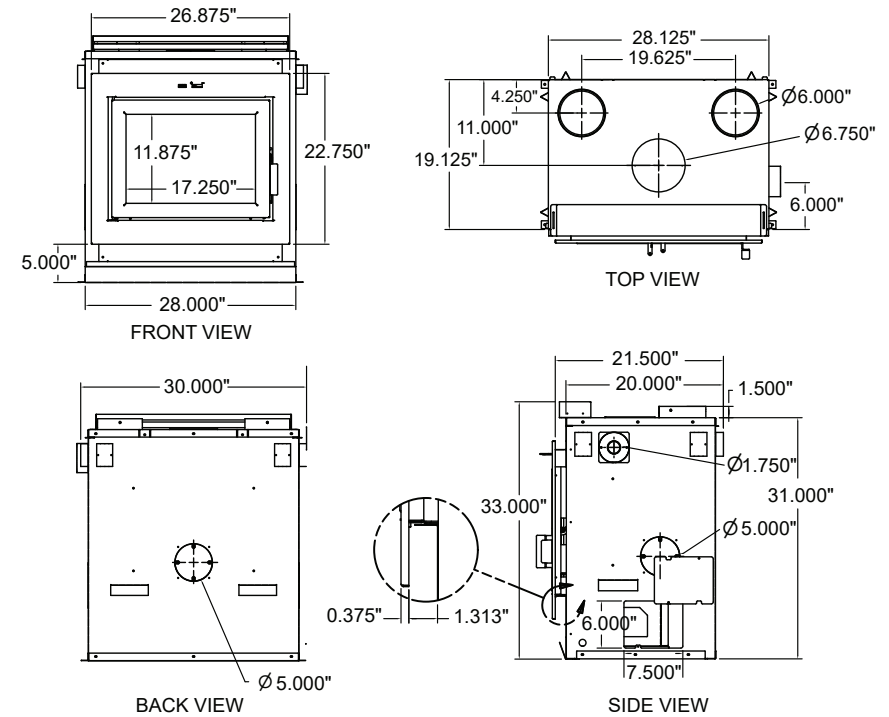
CHIMNEY

6 inch listed to UL103/
ULC S629 standards

TRADITIONAL

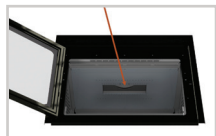


CLEAN FACE



PATENTED AUTOMATIC AIR CONTROL

This patented, user-friendly mechanism automatically reduces the amount of combustion air introduced during ignition to the desired burn rate setting. The result is a beautifully consistent fire burning to its full capacity.



CHIMNEY SWEEPING CAP

Located on the baffle, this convenient feature allows for easy access to the chimney for maintenance and cleaning without having to remove any other components in the firebox.



DUAL BLOWER SYSTEM (165 CFM)

The dual blower system helps distribute the convection heat more efficiently into the room. As the combustion progresses, the blowers automatically activate with the heat and can be set using the variable speed control.



INNOVATIVE BAFFLE DESIGN

Most EPA units have secondary air tubes that reduce the firebox height and require maintenance. Our unique design allows secondary air to enter through a perforated baffle offering an unimpeded view of the fire all while increasing the efficiency and combustion.



REVERSIBLE CAST-IRON PANELS

Crafted with care, our heavy-duty cast iron panels are stamped with a brick pattern on one side and a flowing contemporary design on the other. These reversible panels provide a versatile design that is as beautiful as it is functional.



UNIQUE DOOR OPERATION

Our finely crafted door handle has an ergonomic design and keeps the door shut by means of a latch for a secure operation.

supreme



www.supremem.com | info@supremem.com | 1 877 593.4722

Information and images contained in this catalog are subject to change and should be used for reference only. All installations should be done in accordance to the specifications detailed in the owner's manual.

June 2024