

# NOVO SERIES

# FREESTANDING STOVE



# THE FUTURE OF FIRE

Distinguished by its clean lines and harmonious ratios, the Novo wood-burning stove fluidly integrates into all manner of interior schemes. With its exceptional versatility, it embodies the ultimate culmination of contemporary form and function.

The stove can sit directly on the floor, or can be elevated on a podium, creating a wood storage space that becomes an attractive feature in its own right. Homeowners are also able to customise the appearance of the firebox by choosing between two materials: soapstone and cast iron. Both are incredibly durable and heat-efficient, yet offer distinct aesthetic appeal. The cast-iron panels are reversible, with one side displaying a classic brick pattern and a flowing, contemporary style on the other. Homeowners who prefer a natural grain will love the neutral appeal and timeless chic of grey soapstone.

With its ability to bring both beauty and indelible comfort to any home, the Novo stove represents an exciting new frontier of modern heating.





# NOVO 18



FREE STANDING STOVE



The Novo can also be installed directly on the floor.

							
HEAT CAPACITY	HEATING TIME	FIREBOX SIZE	GLASS DIMENSIONS	MAX. HEAT OUTPUT	LOG SIZE	EMISSIONS	CHIMNEY
500 to 1,000 sq.ft.	Up to 10 hours	1.8 cu ft	17 1/8" x 12"	60,000 BTUs	Maximum: 18" Recommended: 18"	1.99 g/hr EPA 2020 Certified	6 inch listed to UL103/ ULC S629 standards



# NOVO 24

FREE STANDING STOVE



Elevate the look of your Novo by adding a soapstone slab on top of your stove.



HEAT CAPACITY

500 to 1,500 sq.ft.



HEATING TIME

Up to 10 hours



FIREBOX SIZE

2.4 cu ft



GLASS DIMENSIONS

23" x 12 3/4"



MAX. HEAT OUTPUT

75,000 BTUs



LOG SIZE

Maximum: 24"  
Recommended: 18"



EMISSIONS

1.77 g/hr  
EPA 2020 Certified



CHIMNEY

6 inch listed to UL103/  
ULC S629 standards



# NOVO 38



FREE STANDING STOVE



HEAT CAPACITY

1,000 to 2,500 sq.ft.



HEATING TIME

Up to 12 hours



FIREBOX SIZE

3.8 cu ft



GLASS DIMENSIONS

22 3/4" x 15 3/8"



MAX. HEAT OUTPUT

125,000 BTUs



LOG SIZE

Maximum: 23"  
Recommended: 18"



EMISSIONS

1.85 g/hr  
EPA 2020 Certified

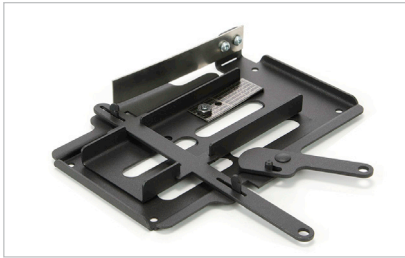


CHIMNEY

6 inch listed to UL103/  
ULC S629 standards

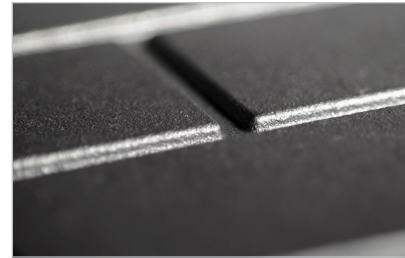


## EXCLUSIVE FEATURES



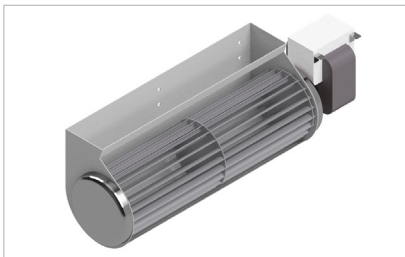
### Patented Automatic Air Control

This patented, user-friendly mechanism automatically reduces the amount of combustion air introduced during ignition to the desired burn rate setting. The result is a beautifully consistent fire burning to its full capacity.



### Reversible Cast Iron Panels

Crafted with care, our heavy-duty cast iron panels are stamped with a brick pattern on one side and a flowing contemporary design on the other. These reversible panels provide a versatile design that is as beautiful as it's functional.



### Premium Quality Blower Included

This powerful yet whisper-quiet system effortlessly distributes heat over significant distances. As the combustion progresses, the high-quality blower automatically activates and is set using the variable speed controller.



### Soapstone

Soapstone is a natural material marked by its elegant appearance, unfaltering durability and exemplary thermal properties. By absorbing, storing and radiating heat over time, it provides consistent and long-lasting warmth.



### Firebox Customization

The Novo's firebox can be customized by choosing between two materials: soapstone and cast iron. Both are incredibly durable and heat-efficient, yet offer distinct aesthetic appeal.



### Innovative Baffle Design

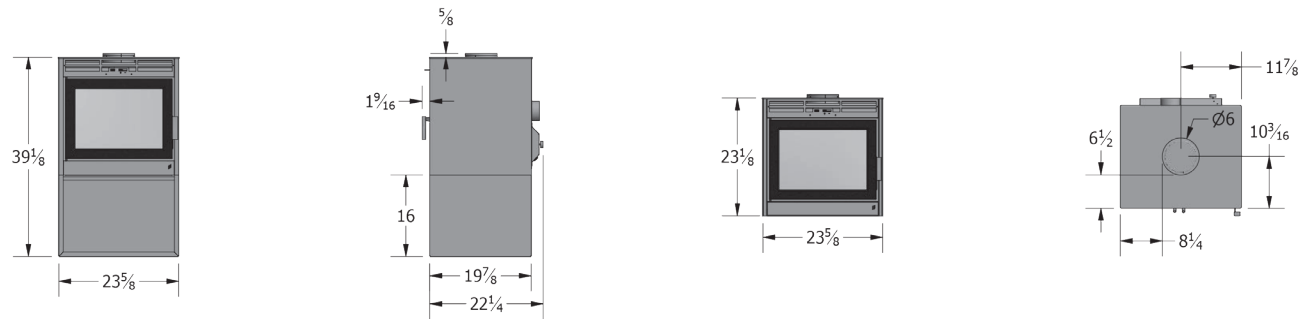
Our products have a unique design that allows secondary air to enter through a perforated baffle offering an unimpeded viewing area to the fire all while increasing the stove's efficiency and prolonging the combustion.



# WEIGHT & DIMENSIONS

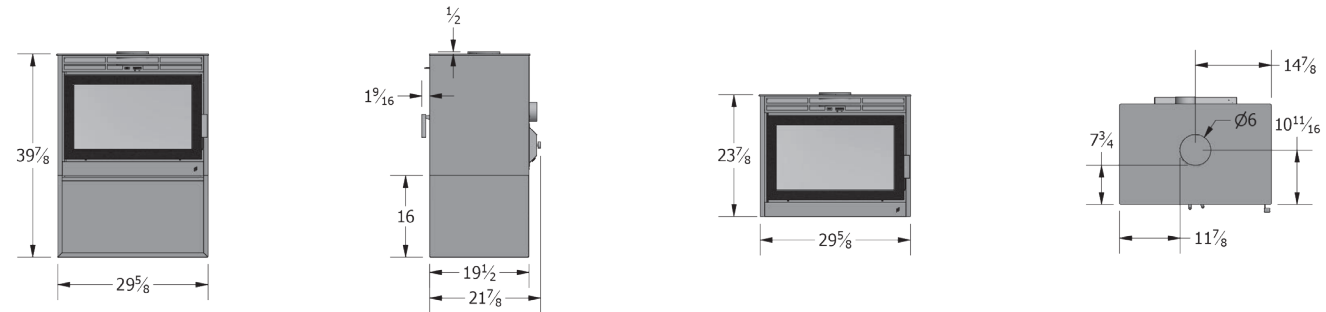
## NOVO 18

**Weight:** 310 lbs  
**Podium 18 :** 40 lbs



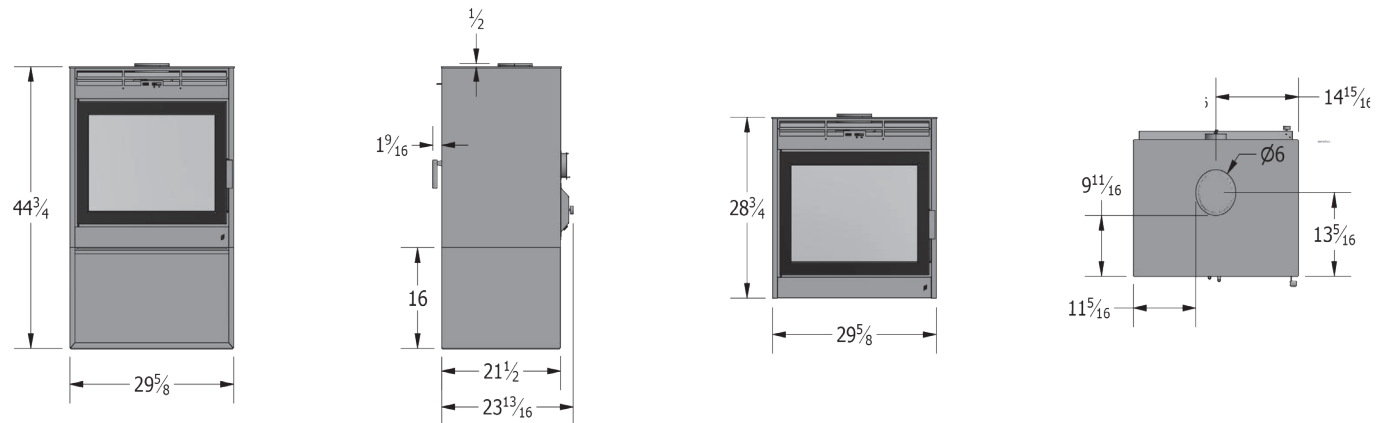
## NOVO 24

**Weight:** 340 lbs  
**Podium 24 :** 50 lbs



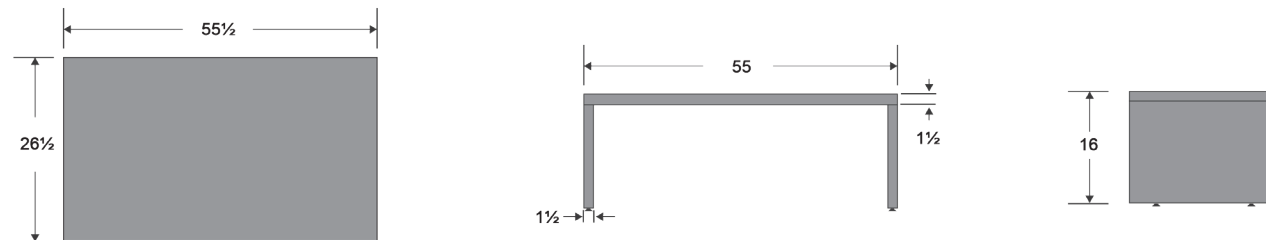
## NOVO 38

**Weight:** 410 lbs  
**Podium 38 :** 60 lbs



## UNIVERSAL TABLE

**Weight:** 120 lbs



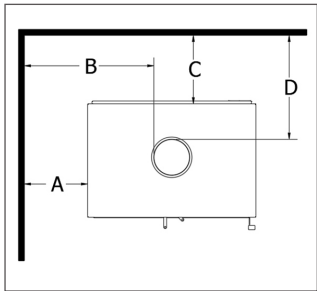
\*All units are in inches



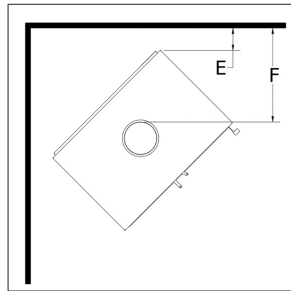
# CLEARANCES TO COMBUSTIBLES

The Novo stove has been tested and certified under the ULC S627 (Canada), UL 1482 (USA), and UL 737 (USA) safety standards. The clearances below must be respected to ensure the safe operation of the unit under normal and extreme conditions.

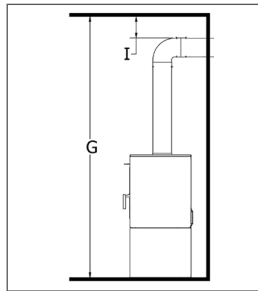
**WARNING: Failure to follow the information below is a safety hazard and may result in property damage.**



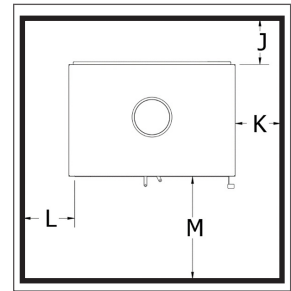
Standard Installation



Corner Installation

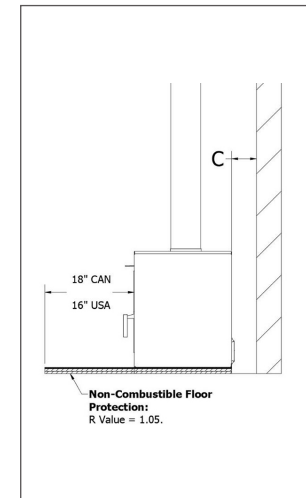
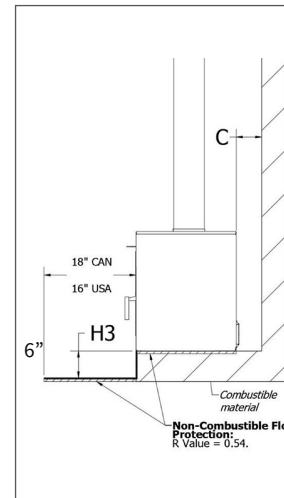
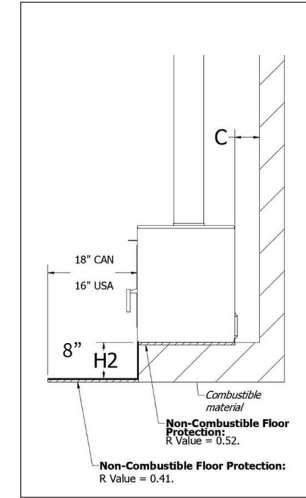
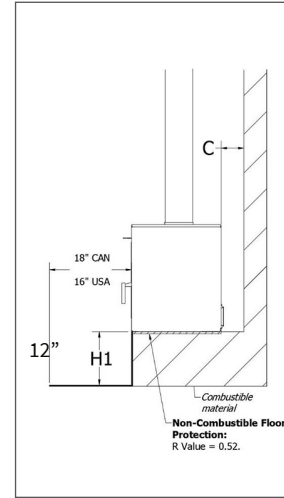


Through Wall Installation



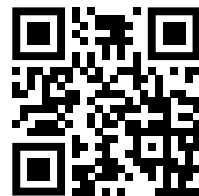
Floor Protector

## Clearances to Combustibles for Direct Floor Installation



Single Wall Connector	Canada			USA		
	Novo 18	Novo 24	Novo 38	Novo 18	Novo 24	Novo 38
A	18"	14 7/8"	14 7/8"	18"	14 7/8"	14 7/8"
B	26 1/2"	26 1/2"	26 1/2"	26 1/2"	26 1/2"	26 1/2"
C	11 1/2"	11 7/8"	12 1/2"	11 1/2"	11 7/8"	12 1/2"
D	18"	18"	18"	18"	18"	18"
E	6 1/8"	4 1/4"	4 1/2"	6 1/8"	4 1/4"	4 1/2"
F	18"	18"	18"	18"	18"	18"
G	84"	84"	84"	84"	84"	84"
I	18"	18"	18"	18"	18"	18"
J	8"	8"	8"	0"	0"	0"
K	8"	8"	8"	N/A	N/A	N/A
L	N/A	N/A	N/A	8"	8"	8"
M	18"	18"	18"	16"	16"	16"

Double Wall Connector	Canada			USA		
	Novo 18	Novo 24	Novo 38	Novo 18	Novo 24	Novo 38
A	14"	11"	11"	14"	11"	11"
B	22 1/2"	22 1/2"	22 1/2"	22 1/2"	22 1/2"	22 1/2"
C	6"	6"	6"	6"	6"	6"
D	12 5/8"	12 1/8"	11 1/2"	12 5/8"	12 1/8"	11 1/2"
E	3"	1 1/4"	1 1/2"	3"	1 1/4"	1 1/2"
F	14 7/8"	14 7/8"	14 7/8"	14 7/8"	14 7/8"	14 7/8"
G	84"	84"	84"	84"	84"	84"
I	7"	7"	7"	7"	7"	7"
J	8"	8"	8"	N/A	N/A	N/A
K	8"	8"	8"	8"	8"	8"
L	N/A	N/A	N/A	8"	8"	8"
M	18"	18"	18"	16"	16"	16"



3594 Jarry East, Montreal, Quebec H1Z 2G4

Telephone: 514 593.4722 Toll-free: 1 877 593.4722 Fax: 514 593.4424

www.supremem.com | info@supremem.com

Note:

Information and images contained in this catalog are subject to change and should be used for reference only. All installations should be done in accordance to the specifications detailed in the owner's manual.